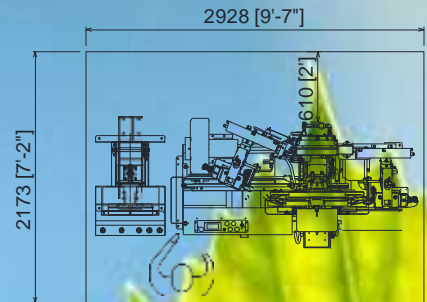


**AUTOMATIC !**  
**IRONING !**  
**MACHINE !**

**Productivity**  
**70 Shirts/Hour**

**Unique Features**

- **Sleeve Angle Adjustment** For The Finest Sleeve Finish For Different Types Of Shirts
- Body Side Press Finish With **Curved Heat Plate** To Achieve Excellent Press Quality
- Long Lasting Resilient **Spring Pad** With Efficient Moisture Escape Path For The Faster Dry And Prevention Of Bottom Breakage
- Powerful **Hot Air Blower** For Fast And Fine Finishing Quality
- **Strong Vacuum** With Powerful Motor
- Panasonic Control **Computer & Touch Screen** Interface
- Production Management System



**Layout Example**



**Powerful Hot Air Blower**



**Spring Pad**



**Sleeve Angle Adjustment**

Industrial Pioneer Sleeve Arm Up and Down Design.

Model	Power Input	Power Input	Power	Steam	Air	Weight	Dimensions
YPS-301 Single Body Sleeve	E Model 220V, 3 Phase	U Model 220V, 1 Phase	1500 W	0.6 Mpa 25 Kg/Hr, 1.4 BHP	0.5 Mpa 35 Litter/Hr	670kg	W x D x H (mm)
							2344 x 1181 x 1809
YPS-622 Single Collar Cuff	E Model 220V, 3 Phase	U Model 220V, 1 Phase	25 W	0.6 Mpa 13 Kg/Hr, 0.8 BHP	0.5 Mpa 45 Litter/Hr	255kg	Dimensions
							W x D x H (mm)
							600 x 1025 x 1410

Web Link : [www.yacjapan.in](http://www.yacjapan.in)  
E-mail : [info@yacjapan.in](mailto:info@yacjapan.in)

[Click here for Product Video](#)

